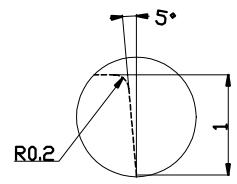
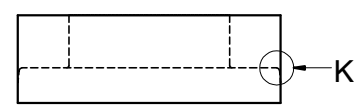
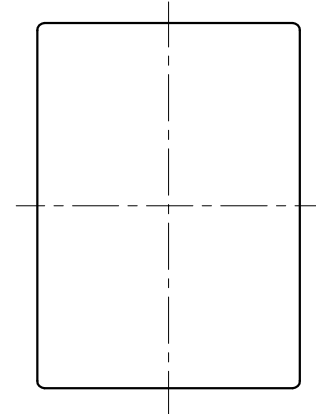
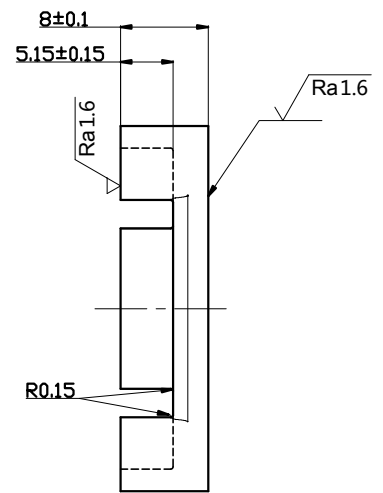
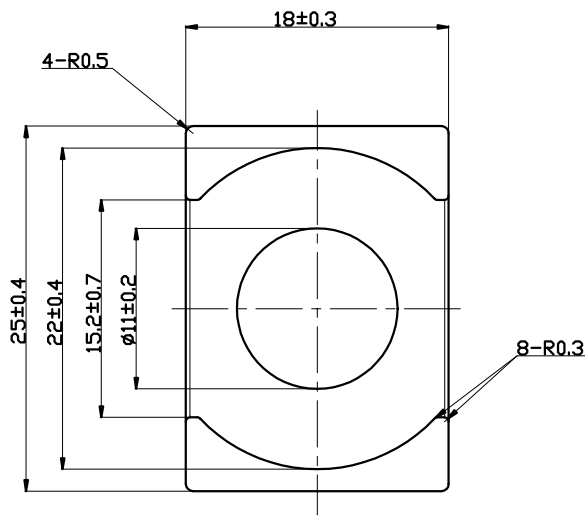


REVISION HISTORY			
Rev	DESCRIPTION	DATE	APPROVED



Detail K

	Scale	Material	Customer Part number		
	2 : 1		EQ25 set		
Unit:	Standard tolerances	Product Name			
mm	±0.1	EER-25-16-18			
Approved by	Created by	Document type	Rev	Drawing No.	
Y.Higuchi	Z.zhang	Production drawing	00	PY170707M04	
Hitachi Metals (Hong kong) ltd. Panyu Factory			Date of issue	Sheet	
			Jul 07 2017	1/1	